

**LED pool light Remote Control
with built in transformer**

OWNER'S MANUAL

PL-REM-200

Long range DuraLink™ version



Spectravision[™]
lighting


**Controls Spectravision Pool Lights
and 2 auxiliary circuits**

Table of contents

| | |
|---|--------|
| Technical specifications | Page 3 |
| Box contents | Page 4 |
| Installation instructions | Page 5 |
| Pairing Handheld Transmitter & controller | Page 6 |
| Handheld transmitter functions | Page 7 |
| Replacing transmitter battery | Page 7 |
| Troubleshooting | Page 7 |

Technical specifications

Electrical specifications

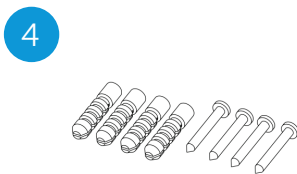
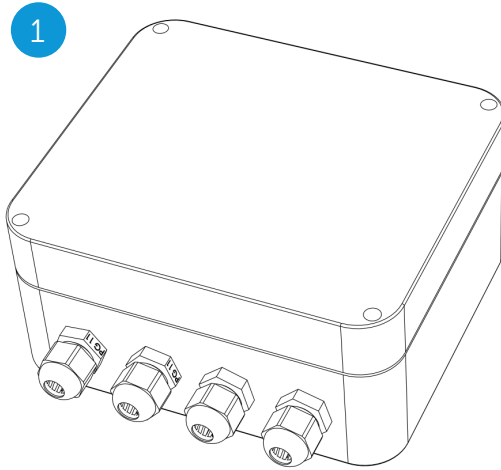
| | |
|--|--|
| Nominal Input voltage | 230 VAC 50 Hz |
| Output voltage on Lamp Output | 12 VAC |
| Max output current on Lamp Output | 16,7 A |
| Max rating Relay Contact A and B Resistive Load | 14A 250VAC 14A 30VDC |
| Inductive Load | 6A 250VAC 6A 30VDC |
| Transformer VA rating | 200VA |
| Fuse type | 5x20mm cartridge fuse 5A 250V slow blow/time lag |
| Frequency band transmitter | 868 MHz |
| IEC Protection Class | Class II  |

General specifications Controller

| | |
|-------------------------|----------------------------------|
| Ambient air temperature | 0°C ... +40°C |
| Humidity | 10% ... 90% RH non condensing |
| Dimensions | 195x194x90 mm |
| Weight | 3,2 kg |
| Ingress protection rate | IP54 |

Box contents

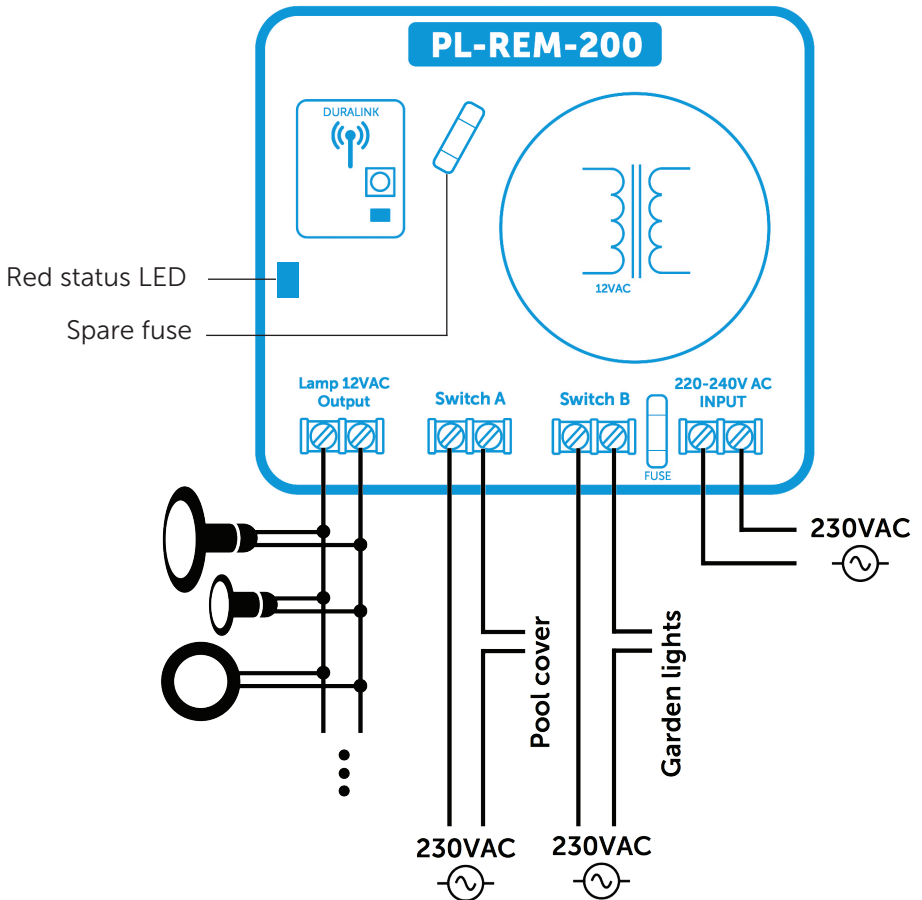
1. PL-REM-200 controller
2. Handheld transmitter (DuraLink™ version)
3. Spare battery (type A23 12V)
4. Screws (4x) & wall plugs (4x)
5. Owners's manual



Installation instructions

- Connect a 230VAC power source to the “220-240VAC INPUT” terminal
 - Connect the swimming pool lights to the “Lamp 12VAC output” terminal
- ⚠ Make sure the total load of pool lights does not exceed 200Watt

Optional: The “Switch A” & “switch B” terminals can be used to control auxiliary circuits like a pool cover or garden lights.



Pairing handheld transmitter & controller

The handheld transmitter is already paired in the factory and ready to use. The PL-REM-200 can pair with up to 6 handheld transmitters. In case a problem arises, the pairing process can be done manually:

Manual Pairing process:

Make sure the PL-REM-200 is connected to a power source.

1. Press the pairing button on the small circuit board, inside the controller for at least 5 seconds.

--> The LED will start to blink fast

2. Within 25 seconds, press any button on the handheld transmitter.

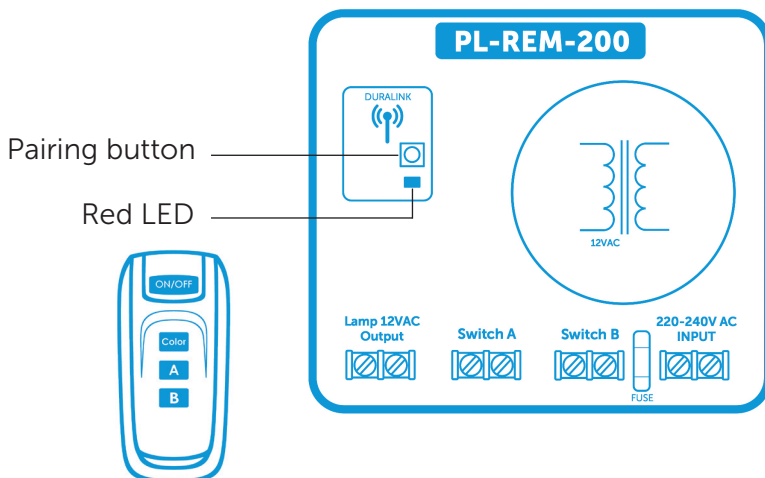
--> If the transmitter is paired correctly, the LED will flash slowly for 5 times

--> If the PL-REM-200 pairing memory is full, the LED will flash 15 times.

This means 6 handheld devices have already been paired.

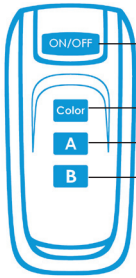
To unpair all handheld transmitters with the controller: Push the pairing button for at least 5 seconds, then do nothing for at least 25 seconds.

--> The pair memory will be erased - the red LED will flash 5x on/off.



Spectravision[™]
lighting

Handheld transmitter functions



Toggle the lamps ON/OFF

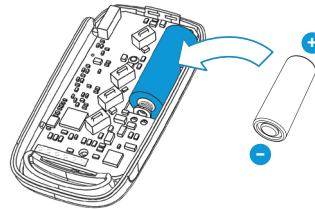
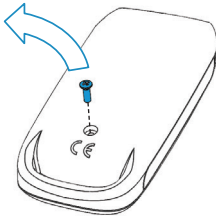
Go to next color scenario

Toggle Output A ON/OFF

Toggle Output B ON/OFF

Replacing transmitter battery

- Remove the philips head screw and open the transmitter
- Replace the battery, respecting the polarity
Battery type: A23 12V



Troubleshooting

PROBLEM

The controller doesn't react to transmitter commands

SOLUTION

- Check the battery of the handheld transmitter
- The transmitter is not paired correctly with the controller. Repeat the pairing process
- Reduce the distance between handheld transmitter and PL-REM-200 and/or remove obstacles

The pool lights don't work

- Check the red status LED
- Check if there is 12VAC output at the terminals of the controller
- Check the fuse of the controller

If the fuse is ok, and there is still no 12VAC output, contact your distributor

Contact details

Propulsion Systems bvba

Dooren 72
1785 Merchtem, Belgium

Tel +32 2 461 02 53

Fax +32 2 706 59 60

www.propulsionsystems.be

info@propulsionsystems.be



Spectravision[™]
lighting

